

DIGITAL I/O MODULES

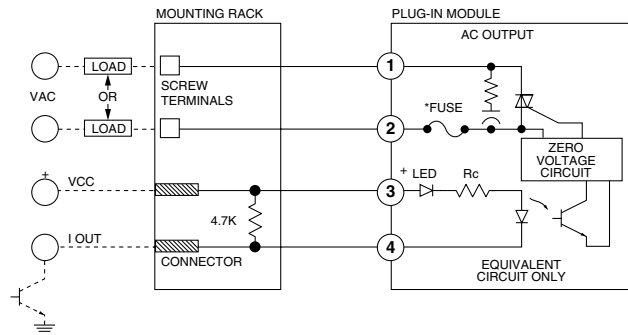
C4 OUTPUT MODULES



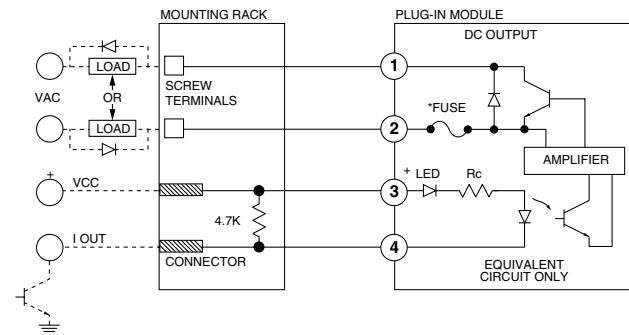
FEATURES:

- CE Compliant
- Built-in LED Status Indicator
- Replacable 2 AG Type Fuse
- New Industry Standard Packaging
- UL and CSA
- 4 to 32 VDC Regulated Input

SCHEMATIC:

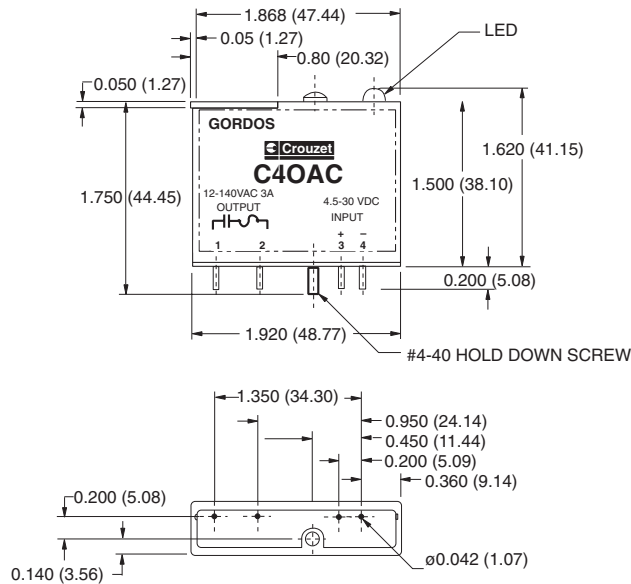


C4 SERIES I/O MODULES
AC OUTPUT SCHEMATIC
* LITTLE FUSE 229003S



C4 SERIES I/O MODULES
DC OUTPUT SCHEMATIC
* LITTLE FUSE 229003S

DIMENSIONS:



Products and specifications subject to change without notice.
Consult factory for application assistance.

DIGITAL I/O MODULES

C4 OUTPUT MODULES

SPECIFICATIONS:

INPUT SPECIFICATIONS: (1)

	C4OAC C4OACA	C4OACR C4OACAR	C4ODCA C4ODC
Nominal Voltage	4-32VDC		4-32VDC
Drop-out Voltage	1VDC		1VDC
Maximum Current (2) (3)	22 mA		16 mA
Resistance	Regulated Input		

OUTPUT SPECIFICATIONS: (1)

	C4OAC C4OACR	C4OACA C4OACAR	C4ODC	C4ODCA
Nominal Line Voltage	120 VAC	240 VAC	5-48 VDC	5-150 VDC
Minimum Line Voltage	12 VAC	12 VAC	5 VDC	3 VDC
Maximum Line Voltage	140 VAC	280 VAC	60 VDC	250 VDC
Maximum Off-state Voltage (4)	600 V Peak	600 V Peak	60 VDC	250 VDC
Maximum Off-state Leakage (5)	.1 mA	.1 mA	10 µA	100 µA
Static Off-state dv/dt (6)	200 V / µs	200 V / µs	n/a	n/a
Maximum Output Current (7)	3 A	3 A	3 A	1 A
Minimum Output Current	50 mA	50 mA	10 mA	10 mA
Maximum Surge Current (8)	100 A Peak	100 A Peak	5 A Peak	5 A Peak
On-State Voltage Drop (9)	1.6 V Peak	1.6 V Peak	1.6 VDC	1.6 VDC
HP Rating	1/4 HP	1/4 HP	n/a	n/a

GENERAL SPECIFICATION: (1)

	C4OAC C4OACA	C4OACR C4OACAR	C4ODC C4ODCA	
Operating Temperature Range	-30 to +80	-30 to +80	-30 to +80	C
Storage Temperature Range	-40 to +100	-40 to +100	-40 to +100	C
Maximum Turn-on Time (10)	8.33	0.1	0.05	mSec
Maximum Turn-off Time	8.33	8.33	0.05	mSec
Input to Output Isolation Voltage (11)	4000	4000	4000	VAC
Input/Output Capacitance	4	4	4	pF

ORDERING INFORMATION:

PART NUMBER	INPUT	OUTPUT
C4ODC	4-32VDC	5-60VDC
C4ODCA	4-32VDC	5-250VDC
C4OAC	4-32VDC	12-140VAC
C4OACA	4-32VDC	24-280VAC
C4OACR	4-32VDC	12-140VAC
C4OACAR	4-32VDC	24-280VAC

Notes:

- (1) Specifications apply to an ambient temperature of -30 to 80°C unless otherwise noted.
- (2) At 32 VDC typical.
- (3) 13 mA at 5 VDC for AC output models only.
- (4) Maximum 1 minute duration.
- (5) At maximum rated line voltage, TA=80°C.
- (6) Minimum DV/DT per EIA/NARM RS443, method RS397. DV/DT ratings do not apply to C4ODC.
- (7) Without any external heat sink in still air, TA=45°C, at 40°C derate 40 mA/°C to 80°C.
- (8) At 25°C, maximum duration: 1AC cycle for AC modules, 1 second for DC module.
- (9) At peak rated current.
- (10) Before zero voltage, Vin=4V AC modules only based on 60 Hz. Vin=15V for DC module.
- (11) For 1 second maximum duration TA=25°C.

Products and specifications subject to change without notice.
Consult factory for application assistance.